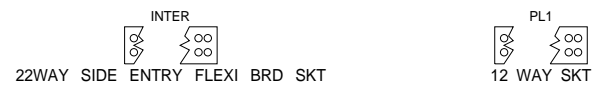
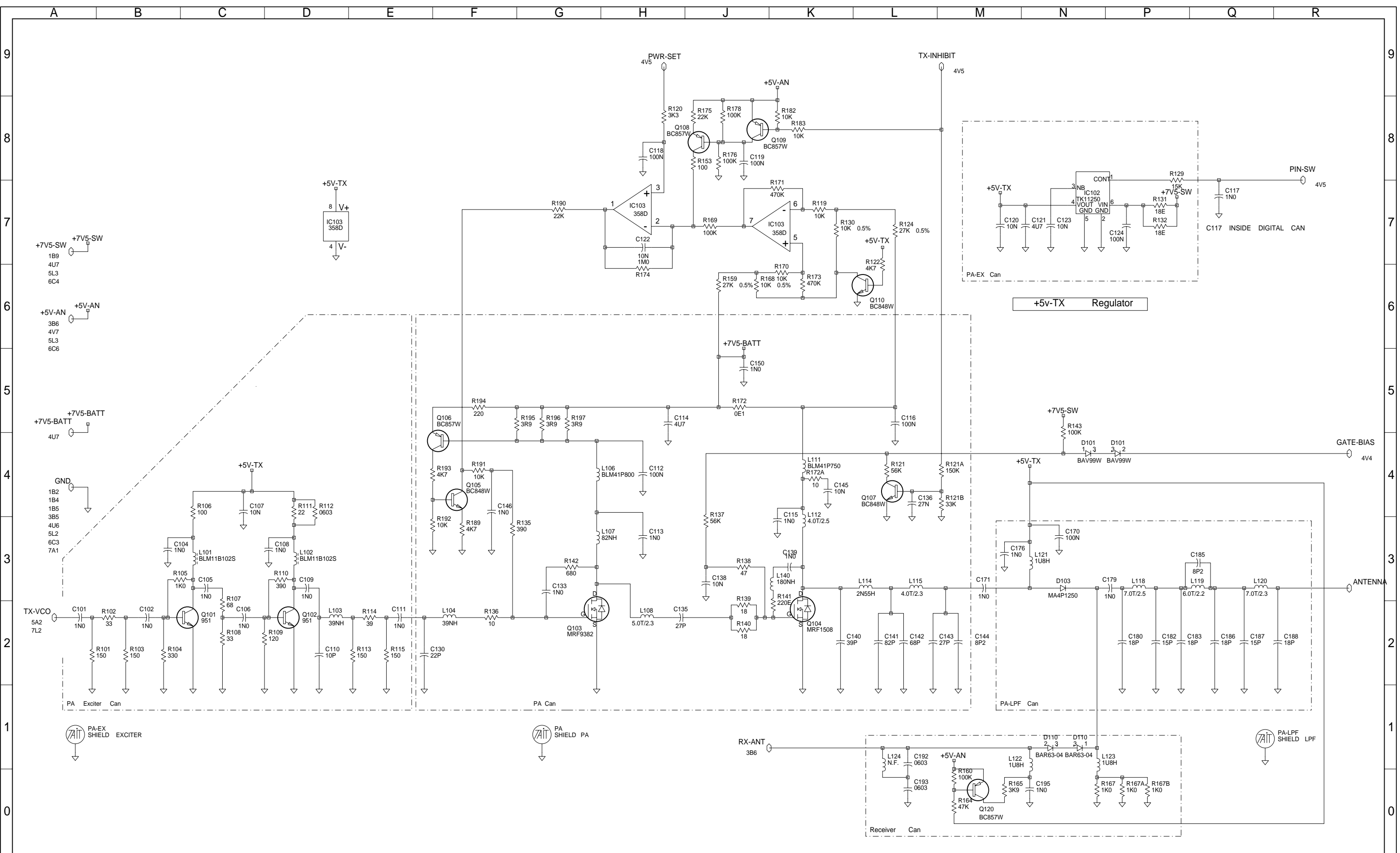


REV/ISS	AMENDMENTS	DRAWN	CHKD	D.O.	APVD	DATE
02G	CHANGE D103 TO MA4P1250	CCN	No.1588-008	TS		26-10-99
02F	REGENERATE PLC, PLA FILES	CCN	No.1588-006	TS		05-10-99
02E	BATT & MIC SEALS SIGNAL TO .NC	CCN	No.1588-004	TS		21-09-99
02D	4 SPRING PINS NOW 356-01077-00	CCN	No.1588-003	TS		16-09-99
02B	PARTS ADDED TO SAVE POWER	BRD				11/06/99
02A	GEN-NEW PASTE SCREEN FOR DEK	BRD				02/06/99
02A	MINOR MOD TO CCT AND VALUES	SPICJK				25/05/99
01A	NEW PA LINEUP	BCS/CJK				12/02/99



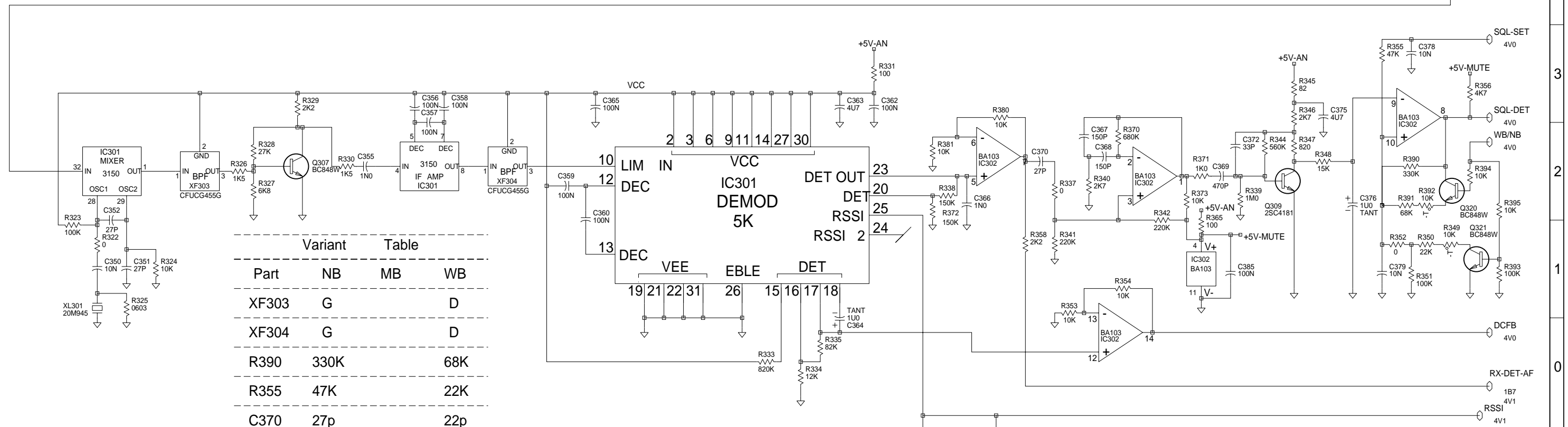
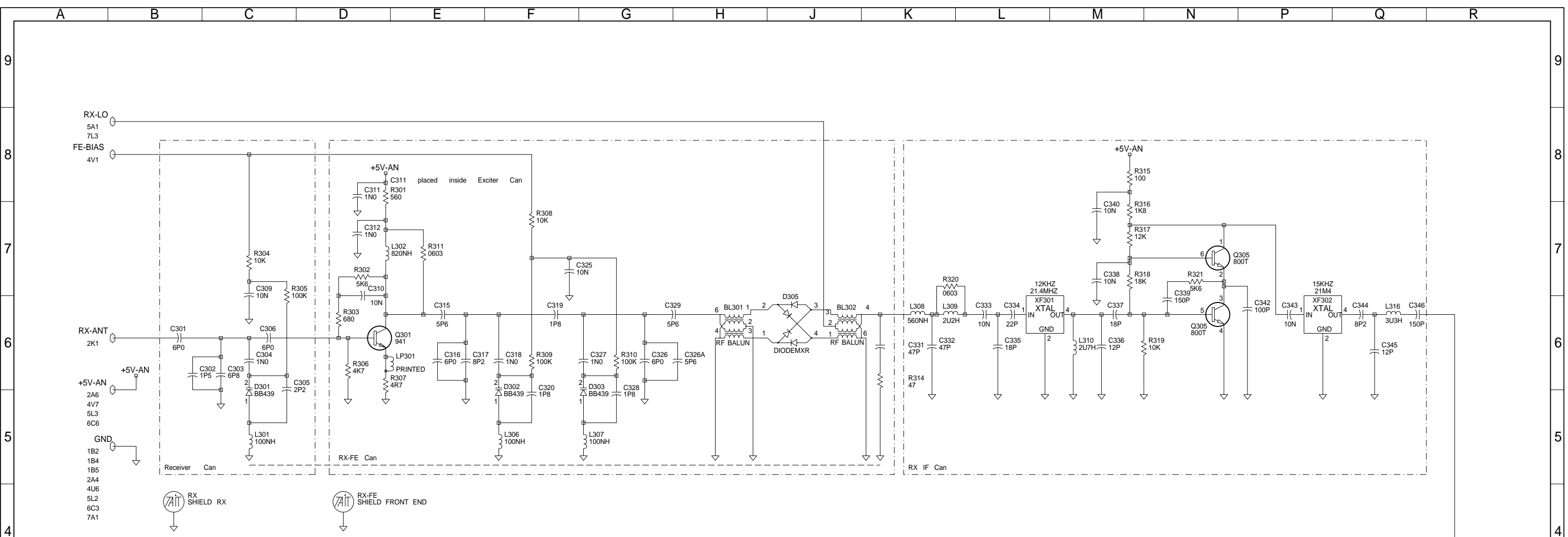
VHF
Tait Orca

© TAIT ELECTRONICS	
ORCA	:TP010-3122 136-174MHZ
SYSTEM DIAGRAM	
IPN: 220-01588-02	ISSUE: G
DESIGNER: TAIT ORCA	FILE DATE: 26-Oct-99
BRD/TS	NO.SHEETS: 7



01A	NEW PA LINEUP (BC-S)	CJK				12/02/99
REV/ISS	AMENDMENTS	DRAWN	CHKD	D.O.	APVD	DATE

© TAIT ELECTRONICS
 ORCA :TP010-3122 136-174MHZ
 POWER AMPLIFIER
 IPN: 220-01588-02 ISSUE: G ID: 2.S.C. 2
 PROJECT: TAIT ORCA DESIGNER: BRD/TS FILE NAME: 158802g FILE DATE: 26-Oct-99 NO.SHEETS: 7

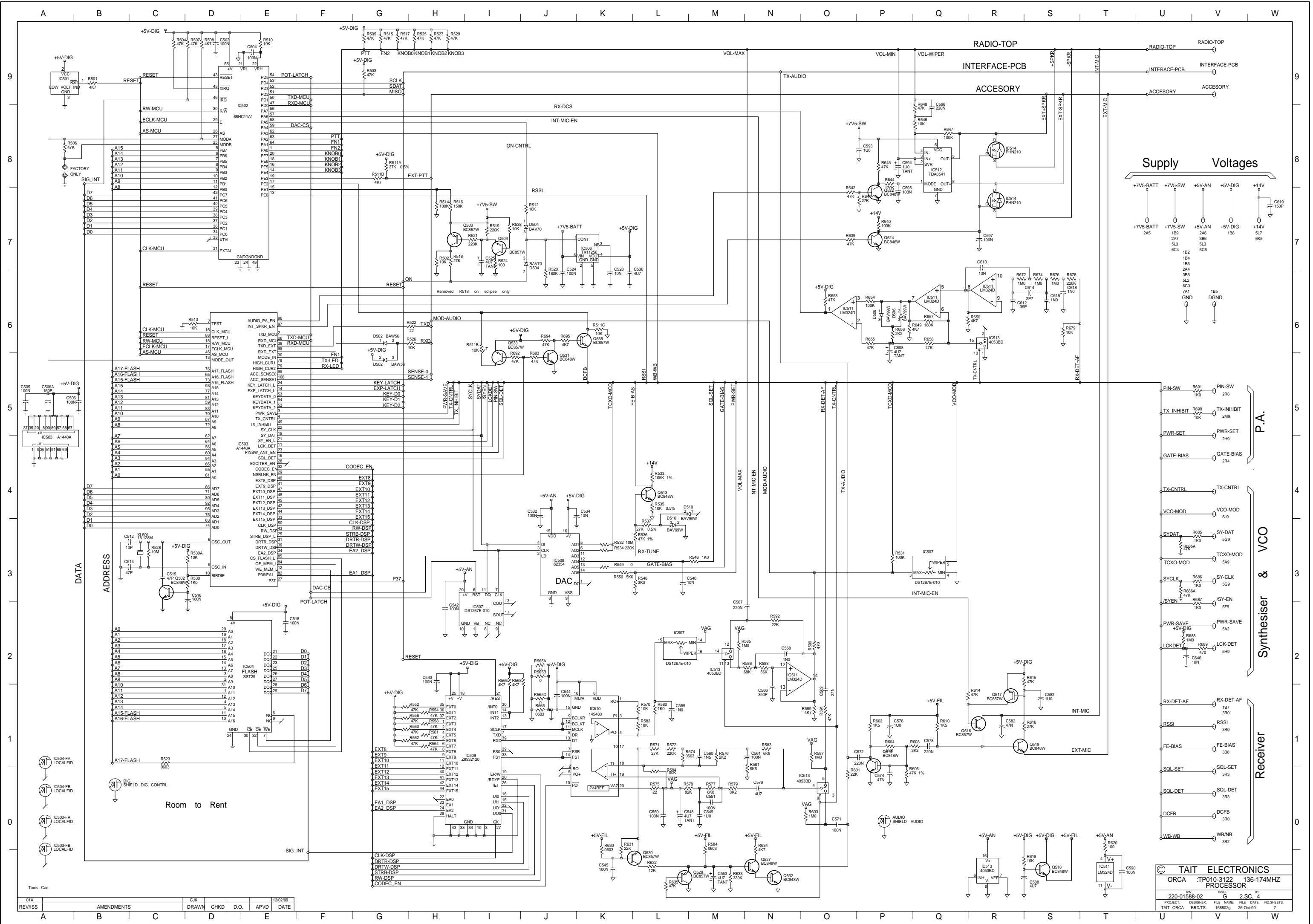


Variant Table

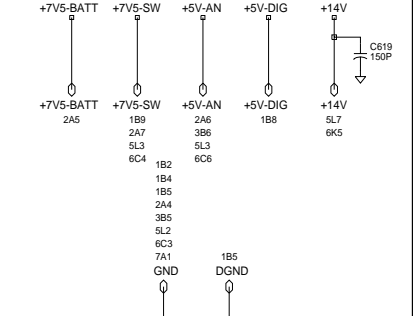
Part	NB	MB	WB
XF303	G		D
XF304	G		D
R390	330K		68K
R355	47K		22K
C370	27p		22p
C369	470p		330p

© TAIT ELECTRONICS
 ORCA :TP010-3122 136-174MHZ RECEIVER
 IPN: 220-01588-02 ISSUE: G ID: 2.S.C. 3
 PROJECT: TAIT ORCA DESIGNER: BRD/TS FILE NAME: 158802g FILE DATE: 26-Oct-99 NO.SHEETS: 7

01A		CJK				12/02/99
REV/ISS	AMENDMENTS	DRAWN	CHKD	D.O.	APVD	DATE



Supply Voltages



- PIN-SW 288
- TX-INHIBIT 289
- PWR-SET 289
- GATE-BIAS 284
- TX-CNTRL 289
- VCO-MOD 510
- SY-DAT 509
- TCXO-MOD 549
- SY-CLK 509
- SY-EN 509
- PWR-SAVE 542
- LCK-DET 549
- RX-DET-AF 380
- SSI 380
- FE-BIAS 388
- SOL-SET 383
- SOL-DET 383
- DCFB 380
- WB-WB 382

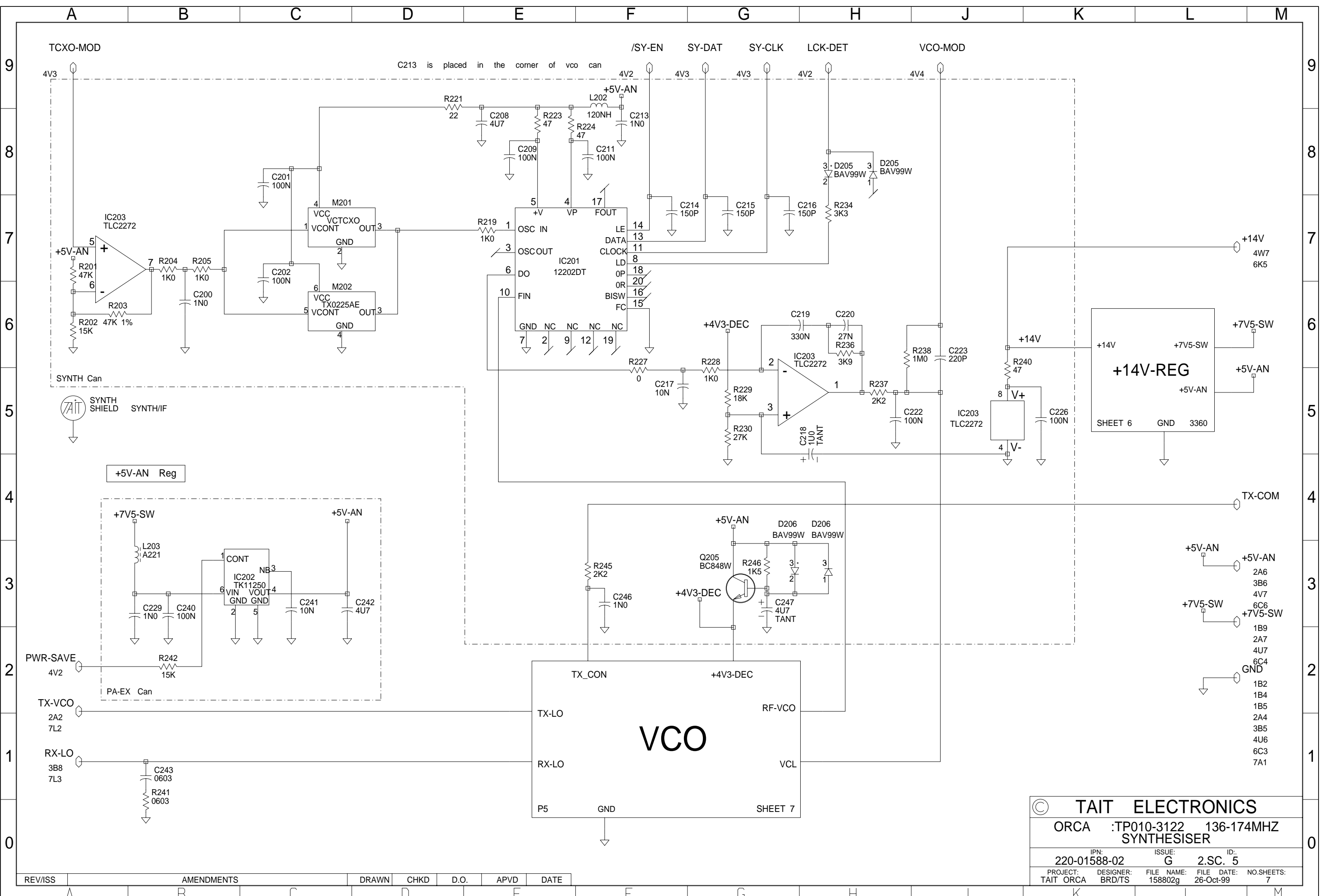
P.A.

Synthesiser & VCO

Receiver

Room to Rent

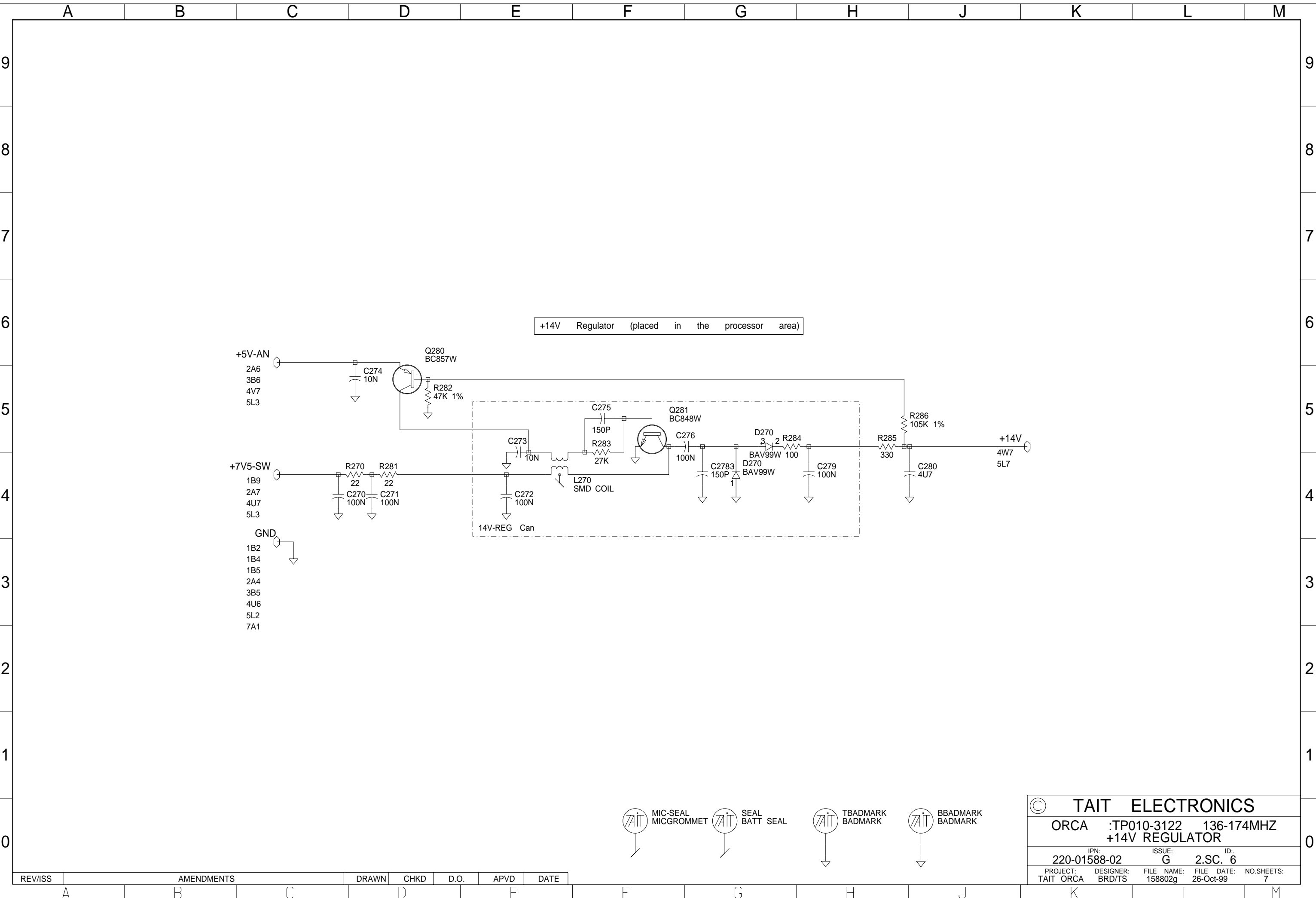
01A					12/02/99
REV/ISS	AMENDMENTS	CJK	DRAWN	CHKD	DATE



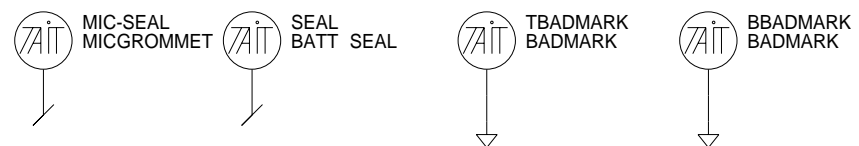
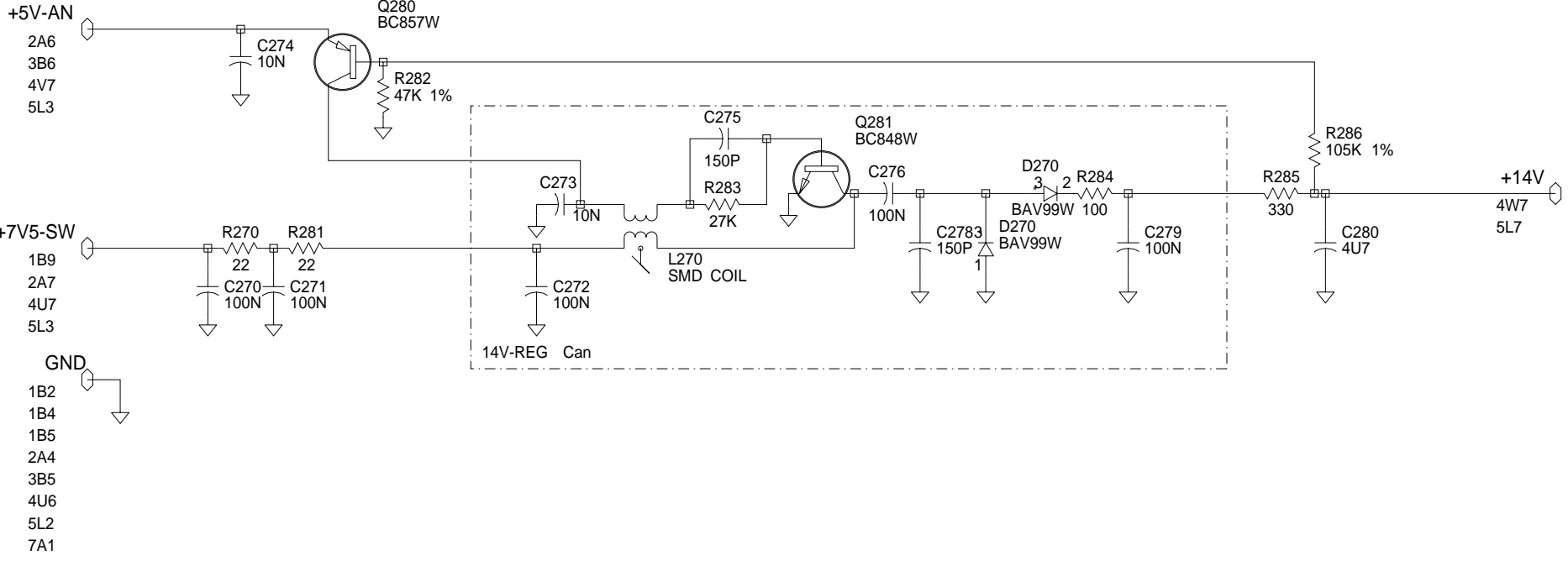
© TAIT ELECTRONICS
 ORCA :TP010-3122 136-174MHZ
 SYNTHESISER
 IPN: 220-01588-02 ISSUE: G ID: 2.SC. 5
 PROJECT: TAIT ORCA DESIGNER: BRD/TS FILE NAME: 158802g FILE DATE: 26-Oct-99 NO.SHEETS: 7

REV/ISS	AMENDMENTS	DRAWN	CHKD	D.O.	APVD	DATE

- +5V-AN 2A6
- +5V-AN 3B6
- +5V-AN 4V7
- +7V5-SW 6C6
- +7V5-SW 1B9
- +7V5-SW 2A7
- +7V5-SW 4U7
- +7V5-SW 6C4
- GND 1B2
- GND 1B4
- GND 1B5
- GND 2A4
- GND 3B5
- GND 4U6
- GND 6C3
- GND 7A1

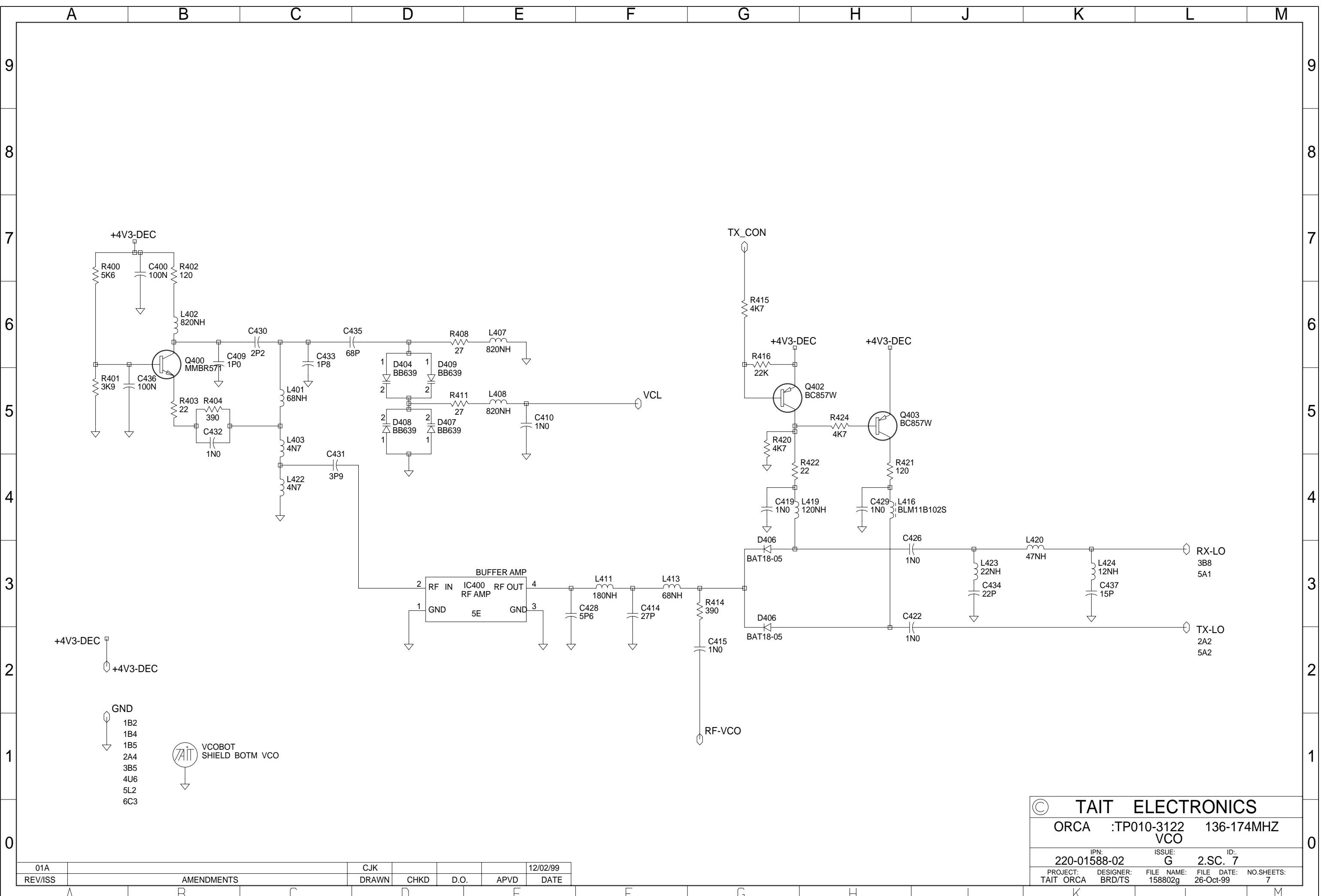


+14V Regulator (placed in the processor area)



© TAIT ELECTRONICS				
ORCA		:TP010-3122	136-174MHZ	
+14V REGULATOR				
IPN:		ISSUE:		ID:
220-01588-02		G		2.SC. 6
PROJECT:	DESIGNER:	FILE NAME:	FILE DATE:	NO.SHEETS:
TAIT ORCA	BRD/TS	158802g	26-Oct-99	7

REV/ISS	AMENDMENTS	DRAWN	CHKD	D.O.	APVD	DATE
---------	------------	-------	------	------	------	------



© TAIT ELECTRONICS
 ORCA :TP010-3122 136-174MHZ
 VCO
 IPN: 220-01588-02 ISSUE: G ID: 2.SC. 7
 PROJECT: TAIT ORCA DESIGNER: BRD/TS FILE NAME: 158802g FILE DATE: 26-Oct-99 NO.SHEETS: 7

01A		CJK				12/02/99
REV/ISS	AMENDMENTS	DRAWN	CHKD	D.O.	APVD	DATE